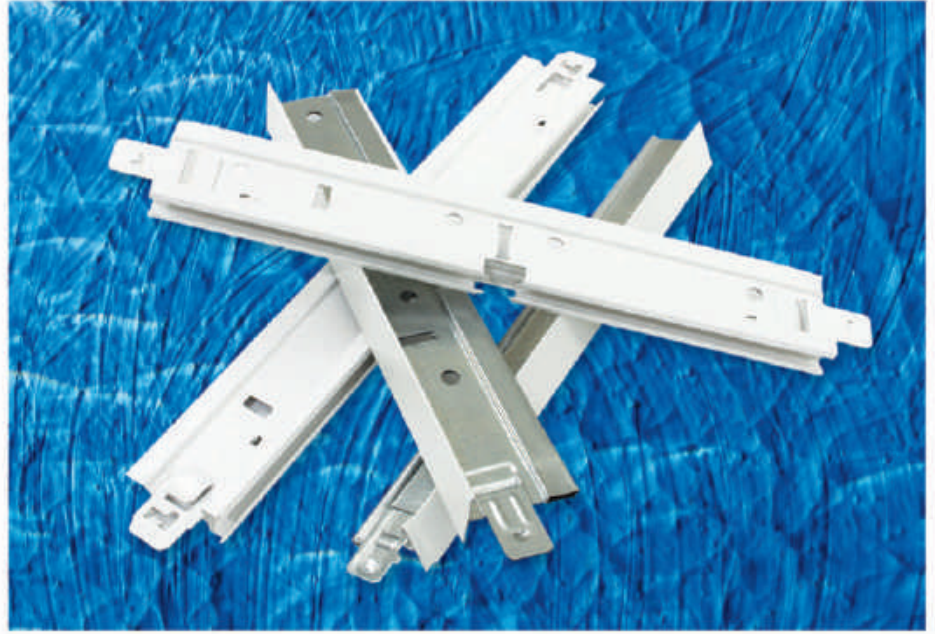


G.M.T

THE IMPORT BRAND

GYPSUM TILES & SYSTEMS



منتجات صديقة للبيئة



GYPSUM TILES & SYSTEMS

Index

Pages

- Company Profile

Page 1

PVC Laminated Gypsum Tiles

- Intro., Material, Features, Specifications

Page 2

- Available Patterns

Page 3

- Perforated Tiles & Patterns.

Page 4

T. Grid System Section

- Section Page

Page 5

- System Description & Specification

Page 6

- System Components

Page 7-8

- Hangers Alternatives

Page 9

- Installation Procedures step by step

Page 10-11

- Clients Notes

Page 12

GMT

Golden Metal is proud to introduce
(ITS NEW IMPORT BRAND "GMT")
to be able to furnish you with Quality Products to complement our line of production.

As you know current market competitive condition is mainly based
on price rather than quality, therefore GM was forced to react by
searching and establishing new Manufacturing sources for world standard Quality products
at a very competitive prices, to make your overall costs reachable.



هو الأسم التجاري الذي اختارته مجموعة جولدن ميتال ليعبر عن المنتجات المستوردة و التي تتحقق فيها مستويات الجودة العالمية. فنظرا لأن المنافسة بالسوق أصبحت فقط في سعر المنتج و تم تجاهل الجودة بشكل كبير جدا . لذا وجدت جولدن ميتال نفسها مضطرة إلى عمل علاقات تجارية جديدة يتم من خلالها استيراد أو التصنيع من قبل الغيرالمنتجات التي ترتبط بمنتجاتها . و ذلك طبقا للمواصفات القياسية العالمية و التي تستطيع جولدن ميتال من خلالها تقديم الضمان الذي يرضى عنه العميل ويتوافق مع سياستنا للجودة.



High Quality Imported PVC Laminated Gypsum Tiles
&
T. Grid Hanging System

P-I

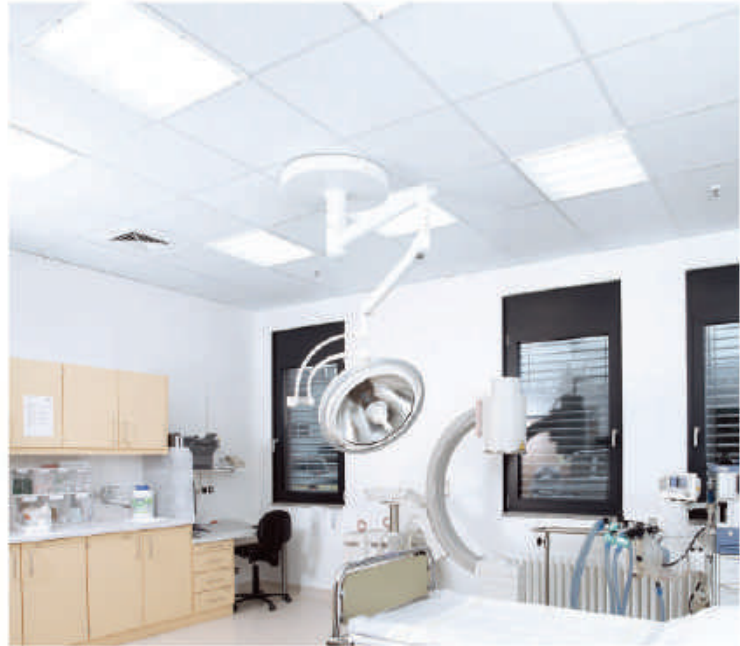
PVC Laminated Gypsum Tiles

Introduction:

GMT IS the leading importers and Suppliers of PVC Laminated Gypsum Ceiling Tiles which are available in a variety of designs and colors. These can be used to adorn the walls of your house or office. These are high in quality and offer numerous advantages over the traditional tiles. Not only are their look and appeal are different but also their features and applications, making them suitable for decoration and designing of contemporary houses.

Features:

- Water proof
- Humidity Resistant
- Thermal Isolated
- Anti Microbial
- Light weight
- Easy to install
- Easy to Access Utilities .



Material:

Made of high quality paper-faced gypsum board with a layer of PVC on surface and aluminum foil on back. (Gypsum, PVC and aluminum foil are all 100% environmental friendly materials with character of water proof and fire proof.)

Specifications:

Material:

- Gypsum Board, non asbestos, sulfate free, manufactured according to EN-520, ASTM C1396
- Surface: High quality PVC
- Backside: High quality PET aluminized foil or mirror PVC
- Dimension: 595x595 mm & 595x1195mm
- Thickness: 7, 9, 12 mm
- Edges: Square
- Packing: (7 mm) 8 pcs, (9 mm) 6 pcs, (12 mm) 5 pcs in carton wrapped and foiled single pack
- Weight/sqm: (7 mm) 5.8 kgs, (9 mm) 7.1 kgs, (12 mm) 8.8 kgs
- Tolerance: Length: ± 1.0 mm, Width: $\pm 0.2 - 0.85$ mm, Thickness: ± 0.5 mm
- NRC: 0.1-0.3 for plain tiles, 0.4-0.70 for perforated tiles, depending on special insulation pad used
- CAC: 36 DB according to ASTM Ee1414 & e413.
- Environment protection product: Adopting natural gypsum material without any harmful material.
- Light Reflection: 82% according to ASTM e903 - JIS R3106
- Chemical & Microbial: PVC facing and PET aluminized foil provide excellent resistance to chemicals and microbes
- Humidity resistance: Dimensionally stable wieh RH up yo 95% at 45°C with no sagging
- Fire resistance: according to ASTM E119. withstand fire up to 60 Minutes.
- Fire performance: according to ASTM B476 part 7.

Available Patterns



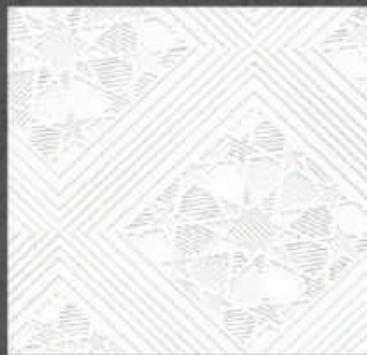
NEW ISLAMIC



HARMONY



WIND



MANO



SANDY



ROSE



ROMBOS



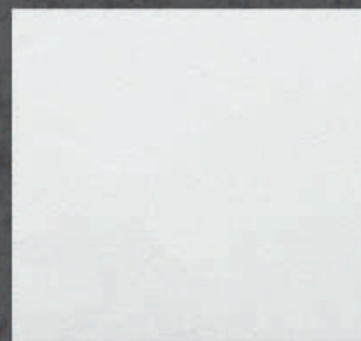
DECORAMA



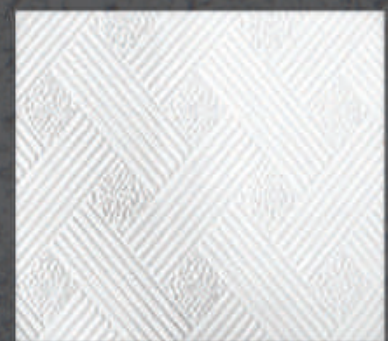
TATRA



ISLAMIC



PLAIN



BAMBOO



PVC Laminated Perforated Tiles

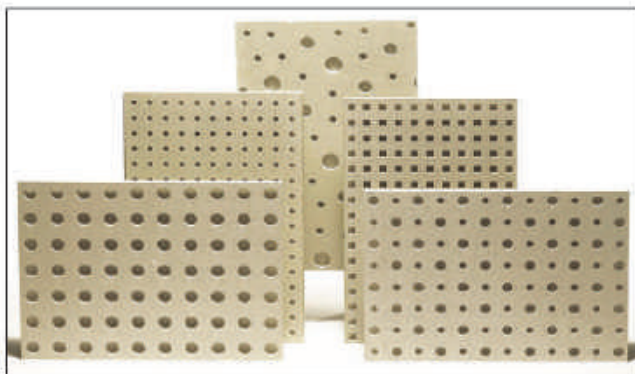
Tiles Perforation Types

GMT supply a vast line of perforated surface of gypsum tiles with variable thickness of 7mm, 9mm and 12mm to be used in buildings that need absorption of sounds.

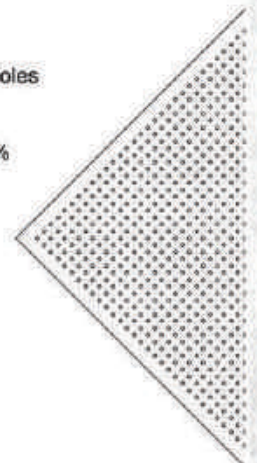
All tiles have square edges and finished with PVC laminated sheets, and back side is lined with non flammable & non woven black fleece.

the perforated tiles can achieve noise reduction coefficient up to 0.85 depend on special insulation pads

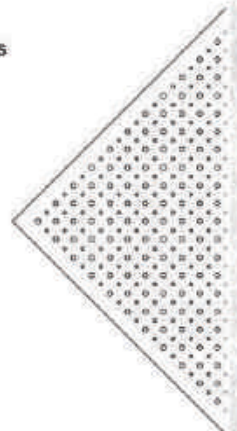
All patterns can be supplied with any of the following perforation patterns:



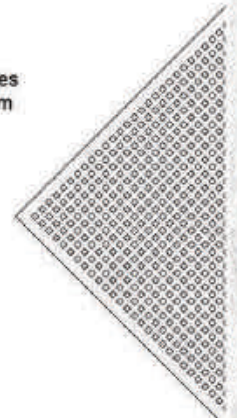
Type 1 - circle holes
dim : 6mm
C/C :18mm
open area : 7.8%



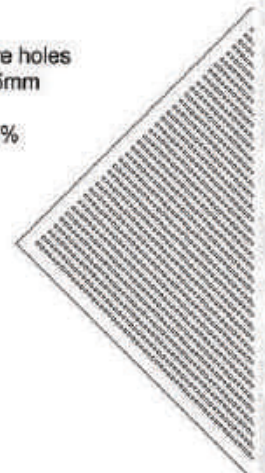
Type 2 - circle holes
dim : 6mm&10mm
C/C :50mm
open area : 4.8%



Type 3 - square holes
dimension 10X10mm
C/C 20mm
open area 20%



Type 4 - square holes
dimension 5X5mm
C/C 15mm
open area 9.8%



High Quality Imported PVC Laminated Gypsum Tiles
&
T. Grid Hanging System

T. Grid System
Section



Index

T. Grid System Section

Pages

- System Description & Features
- System Components
- Hangers Alternatives
- Installation Procedures step by step

- Page 6
- Page 7-8
- Page 9
- Page 10-11



T. Grid System

Description of the "Suspension T Grid" system

GMT provides two types of fire rated exposed ceiling Grid systems:

- Flat T24 - T15
- Ultra Line (UL15)

Both systems can be installed in many places such as schools, hospitals, companies, commercial malls and more.

The accessories are made of hot-dipped galvanized steel sheets and the visible part only fabricated from pre-painted white steel sheets as the Flat grid type, or fabricated all (the grid body) from pre-painted white steel sheets as Ultra line type.

Utilizes automatic punching and cutting machines. Engineered for perfectly aligned ceiling with rapid assembly and disassembly for repair and renovation.

Designed with maximum flexibility for either conventional or diagonal lay-out. GMT is available in the standard white color .



Specifications :

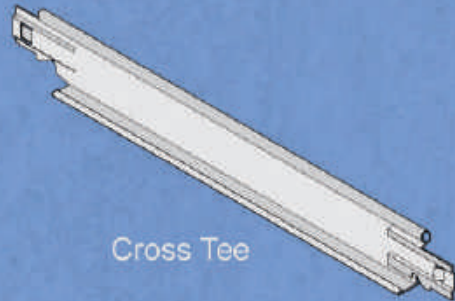
- * Material is processed by pre painted hot-dip galvanized steel : comply with ASTM a 653
- * Easy Installation and Low Cost
- * Suitable for many types of tiles (PVC, GB, Mineral Fiber, Metal ... etc)
- * Easy access to services areas
- * Fabricated from Corrosion resistant materials, (salt spray test 96 hours).
- * Coordinated with all other services
- * Comply with ASTM C635
- * Comply with ASTM E580 seismic conditions
- * Fire resistant according to BS 476 part 7 & 23
- * Easy maintenance, surface does not allow neither Bacteria or fungi to grow.
- * T-bars are produced by a fully automatic machine controlling the production of straight material to maximum 0.1 mm. Tolerance ensuring consistent dimensioning of the grid module after installation.
- * Load bearing capacity when the span is 1.2 M, and supported with hanger from the constructed ceiling is

- 1- The Light type , is 17 kg/m²
- 2- The Heavy type , is 29 kg/m².

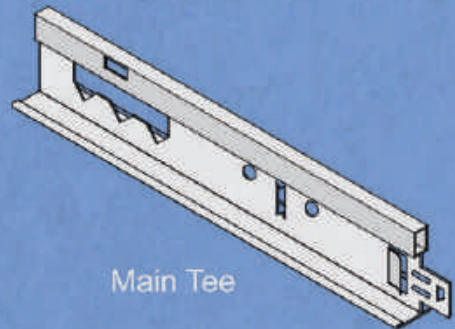


Flat T. Grid System (T24 & T15)

Note: All dimensions are in mm.

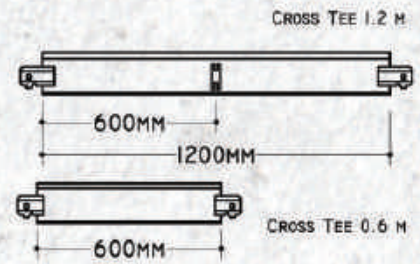
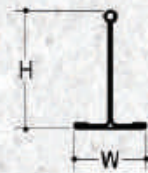


Cross Tee

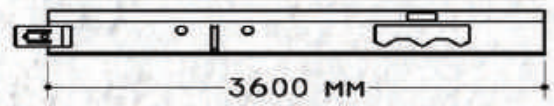
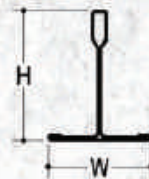


Main Tee

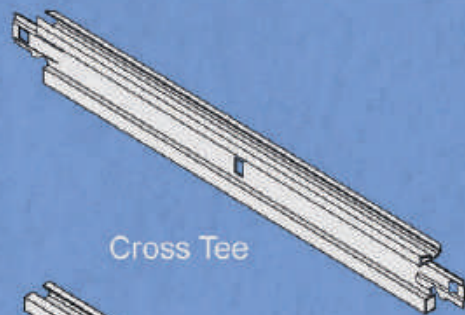
Reference	Dimensions		Length	Material	Thickness		Req./m ²
	H	W			L	H	
CT15-0.6	28	15	600	Galvanized	0.3	0.35	1.3
CT15-1.2	28	15	1200	Galvanized	0.3	0.35	1.3
CT24-0.6	32	24	600	Galvanized	0.3	0.35	1.3
CT24-1.2	32	24	1200	Galvanized	0.3	0.35	1.3



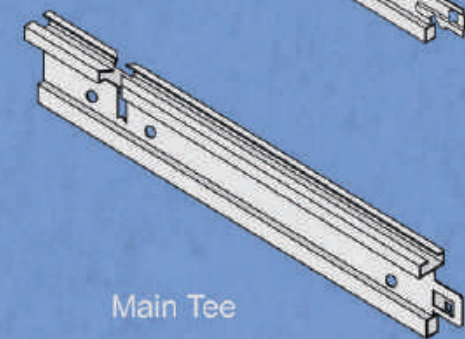
Reference	Dimensions		Length	Material	Thickness		Req./m ²
	H	W			L	H	
MT15	38	15	3600	Galvanized	0.3	0.35	0.22
MT24	38	24	3600	Galvanized	0.3	0.35	0.22



Ultra Line System (UL15)

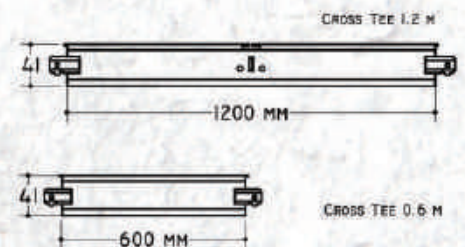


Cross Tee

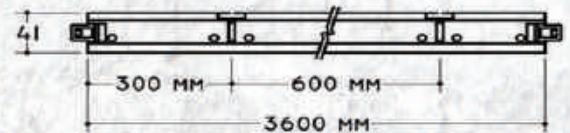
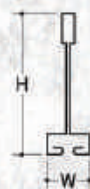


Main Tee

Reference	Dimensions		Length	Material	Thick.	Req./m ²
	H	W				
CT15-0.6	41	15	600	GS Pre painted	0.4	1.3
CT15-1.2	41	15	1200	GS Pre painted	0.4	1.3

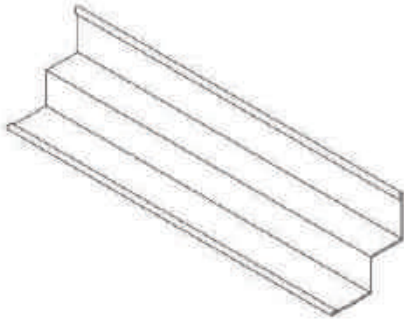


Reference	Dimensions		Length	Material	Thick.	Req./m ²
	H	W				
MT15	41	15	3600	GS Pre painted	0.4	0.22

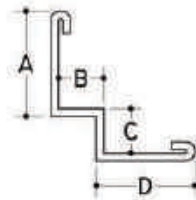


T. Grid System

W Angle



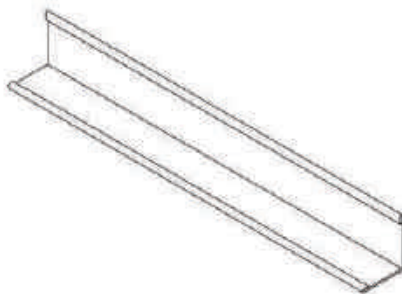
Reference	Dimensions	Length	Material	Thick.	Req./m ²
DL10	A B C D 20 10 10 20	3000	PPGI or PGI	0.5-0.8	0.24
DL20	20 20 20 20	3000	PPGI or PGI	0.5-0.8	0.24



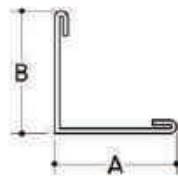
Galvanized Steel Painted or Pre painted Polyester Coating W-Angle, same color finishing as the tiles. RAL 9003 / 9010.

Note: All dimensions are in mm.

L Angle

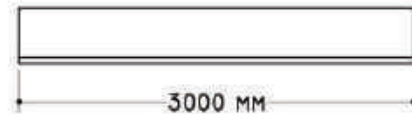


Reference	Dimensions	Length	Material	Thick.	Req./m ²
GW20	A B 20 20	3000	PPGI or PGI	0.5-0.8	0.24
GW25	25 25	3000	PPGI or PGI	0.5-0.8	0.24



Galvanized Steel Painted or Pre painted Polyester Coating L-Angle (L-Shape), same color finishing as the tiles

Note: All dimensions are in mm.



Angles System

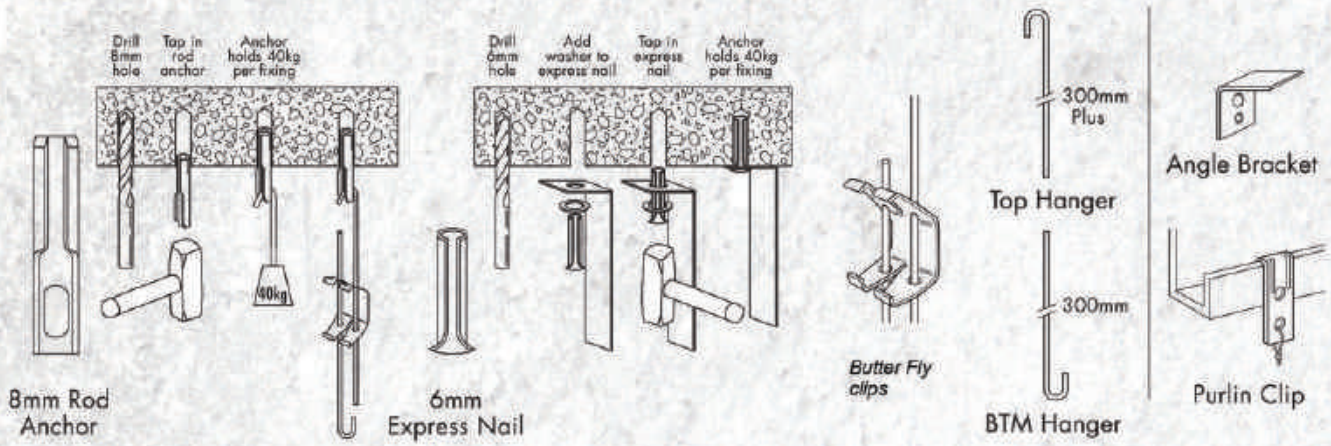
ITEM 2D IMAGE	ITEM	MATERIAL	DIMENSIONS		LENGTH	THICKNESS	Req. per Sq.Meter
			A	B			
	WL 22	Painted steel	22mm	22mm	3000mm	0.5-0.6mm	0.8ml
	WL 20	Painted aluminum	20mm	20mm	3000mm	0.7-1mm	
	DL 10	Painted steel	20mm	10mm	3000mm	0.5-0.6mm	0.8ml
		Painted aluminum			3000mm	0.7-1mm	
	DL 20	Painted steel	20mm	20mm	3000mm	0.5-0.6mm	0.8ml
		Painted aluminum			3000mm	0.7-1mm	

Note: Other lengths available upon request.

T. Grid System

Suspension System

Hangers Alternatives

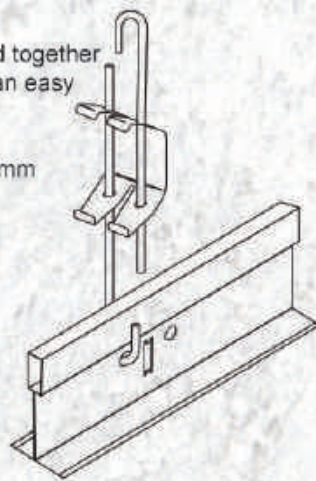


Butterfly

Adjustable spring clips attached together with hanging rod 3.7mm Ø for an easy fixing and suspension. Fabricated from Spring steel. black phosphate, thickness 0.5mm

4mm Rod

Double spring clip and 4mm rod suspension

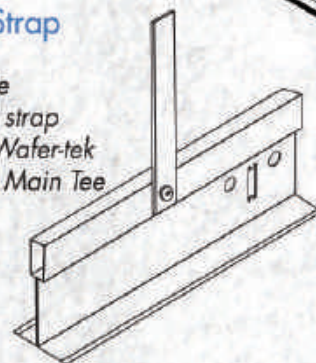
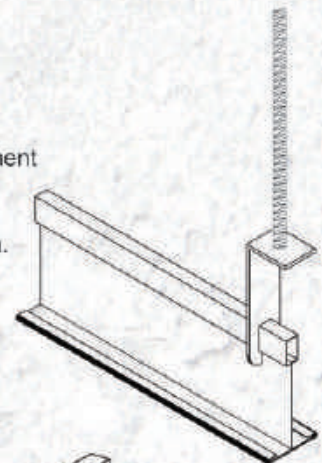


L. Bracket

Attached together with threaded rod for an easy adjustment. Fabricated from Galv. steel thickness 1-1.5mm.

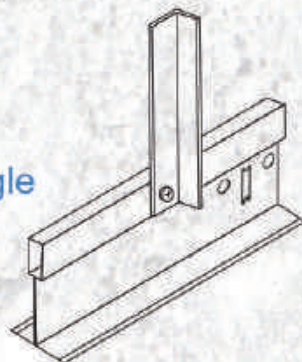
Hanger Strap

19mm wide galvanised strap riveted or Wafer-tek screwed to Main Tee



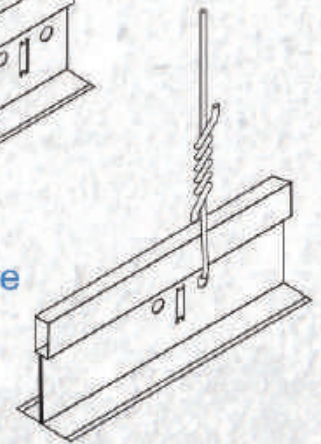
Galvanized Steel Angle

Galvanized steel angle fixing to main T grids and attached to soffits with GL Steel Cleat



Galvanized wire

Pre-straighten 2.5mm diameter Galvanized wire

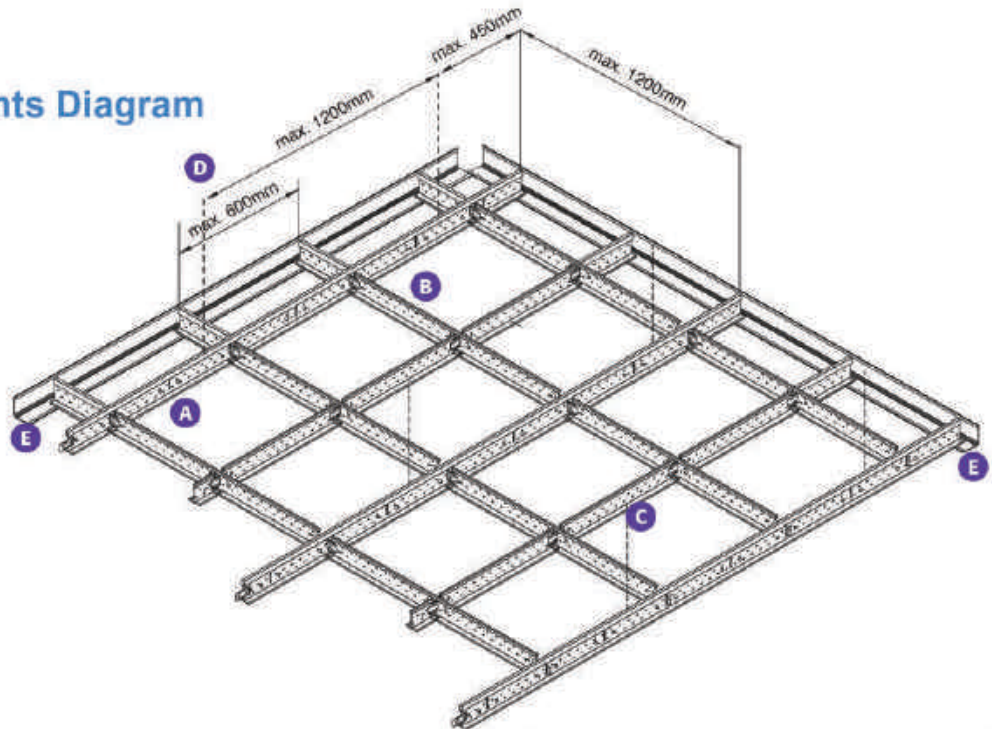


T. Grid System (installation)

Structure Components Diagram

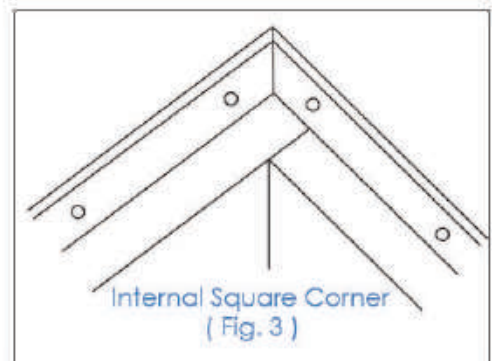
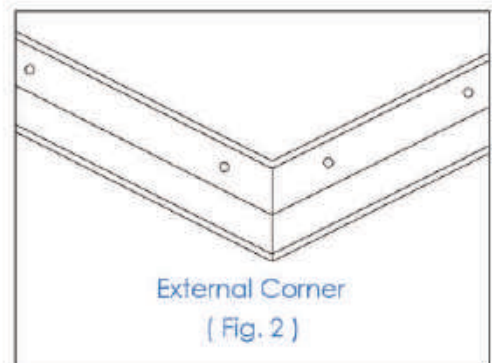
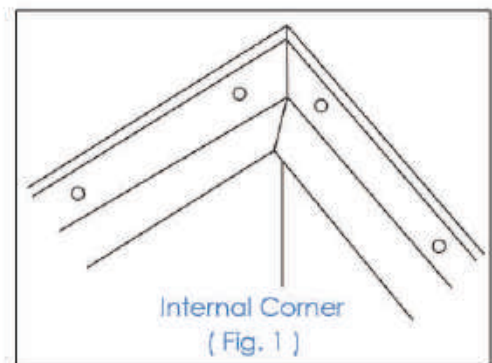
System assembly :

- A. MTB 360
- B. CTB 120
- C. CTB 60
- D. Hanger
- E. Wall Angle



Step 1: Installation of Perimeter angle on walls

- Establish the finished floor to ceiling height,
- Add the height of the wall angle, and mark on 3 walls.
- Mark a connecting line on the fourth wall using a chalk line.
- Fix the wall angle to the walls using suitable fixings positioned 300mm apart.
- Construct internal and external corners to ensure that Ceiling Tiles lie flat. (See figs 1, 2 & 3)
- **Note!** wall angle must be leveled around the room. (If necessary use a Spirit Level) - **Lizer Level**



STEP 2: Suspension Layouts

- Layout a grid 1200mm x 1200mm using a chalk line on the structural soffit, starting at the centre of the room to ensure even borders all around.
- Mark positions where the grid lines intersect, these become the positions of the top fixings. (The type of top fixing will depend on the construction of the soffit).
- **Note!** Last fixing must not be more than 400mm from walls.

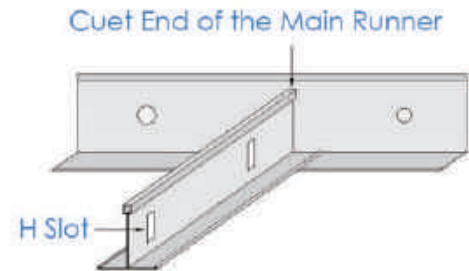
STEP 3: Installing "Hanger Rods"

- Measure the depth from soffit to bottom of wall angle and add 120mm. Cut hanger rod to that length.
- Attach hanger to soffit by steel anchor which enclosed in the soffit.
- Fix a chalk line to the top edge of the wall angle and stretch, parallel to the intended direction of the Main Runner across the room, to the top edge of the wall angle on the opposite wall.
- Ensure the chalk line is touching a row of hangers..

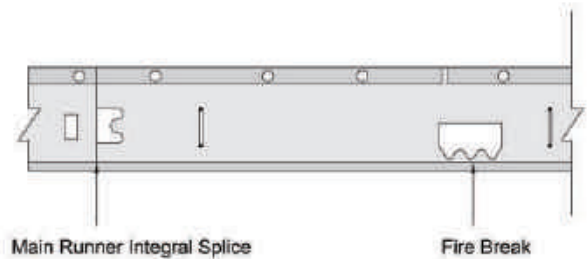
T. Grid System (installation)

STEP 4: Installing Main Runners

- Cut the end of first Main Runner so that Cross Tee "H" slot aligns with chalk line and the cut end of the Main Runner sits on the wall angle. (See fig. 4)
- Fix a chalk line as in Step 3, but this time position the line at the bottom of the wall angle at 90 degrees to the intended direction of the Main Runner, a distance equal to the appropriate border Tile dimension from the wall. (See fig. 4)
- Pass ends of hanger rod through the hole of LB brackets (which is tracked into the main runner), ensuring that rods are vertically aligned.
- Lock into place next Main Runner and continue as done previously ensuring that each Main Runner is leveled so that, Fire Splices are NOT adjacent to each other, and a hanger rod are close to each Main Runner Joint / Fire Splice. (See fig. 5)



(Fig. 4)

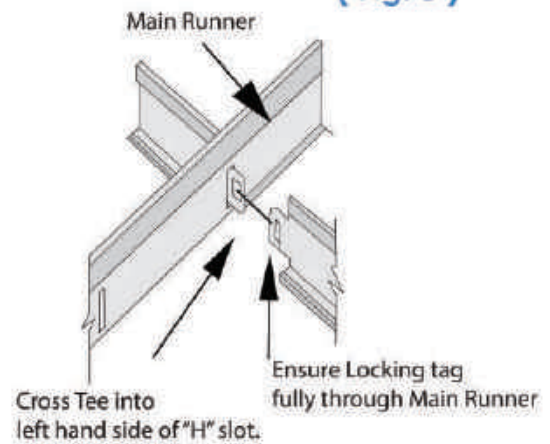


(Fig. 5)

STEP 5 Installing 1200mm Cross Tees:

Insert the end of the first full length 1200mm Cross Tee into the LEFT HAND side of the "H" slot in the Main Tee, in line with the chalk line set up at (Step 4.) Ensure the Locking tag is fully through the Main Tee. (See fig. 6)

- Insert the second full length 1200mm Cross Tee into the same "H" slot from the opposite side of the Main Tee. Again, insert into the LEFT HAND side of the "H" slot.
- Cut Cross Tees at perimeter to suit Border Panel dimension.
- Continue procedure spacing Cross Tees 600mm apart across the Main Tees.



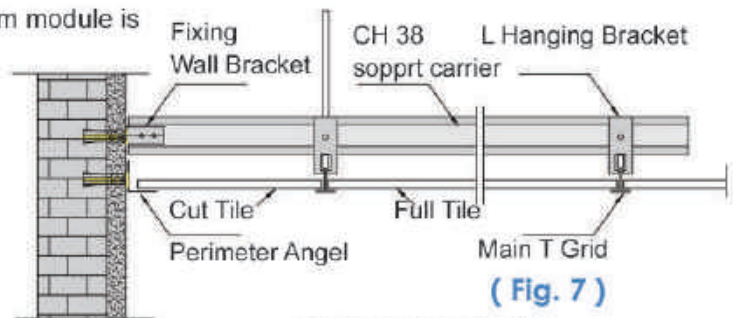
(Fig. 6)

STEP 6 Installing 600mm Cross Tees:

- Insert the end of the first full length 600mm Cross Tee into the LEFT HAND side of the "H" slot in the centre of the previously installed 1200mm Cross Tee, again ensuring the locking tag is fully through the 1200mm Cross Tee.
- Continue construction as in Step 5 until 600mm x 600mm module is complete.
- Remove all chalk guide lines.

STEP 7 Tile Installations:

- Insert all full tile then measure, cut and fit border tiles, using hold-down clips if required. (See fig. 7)



(Fig. 7)

T Grid System Section when Heavy Load Is Required



High Quality
Imported PVC Laminated Gypsum Tiles
&
T. Grid Hanging System



المركز الرئيسي

الإدارة و المصانع : بمدينة العبور قطعة رقم 21 بلوك 12001 القاهرة

موبايل / 01016006612 - 01016006602

e.mail : ceiling-sales@goldenmetalgroup.com

فرع المؤسسة

شارع مؤسسة الزكاة - محطة احمد سلامة

موبايل / 01016006601 - 01016006605

فرع قیصل

نزلة دانرى المربوطية - نزلة العاصي - ش كوبرى 4 - خلف حديد عز

موبايل / 01061608200 - 01016006604

فرع الاسكندريه

على دانرى الاسكندريه / ابيس

موبايل / 01021843335

فرع طنطا

نزلة محلة مرجوم - طريق الاسكندريه الزراعى

موبايل / 01118396402 - 01002691845

فرع مرسى مطروح

امام محطة السوبر جيت

موبايل / 01118396402 - 01002691845

GYPSUM TILES & SYSTEMS

GYPSUM TILES SELECTION



Head office
Al Obour industrial City, Unite 21 - Division 12001, Northern Extension
Tel.: (00202) 4489 0461-4489 0367 Fax.: (00202) 4489 0369
Mobile : 0122 / 781 8785
e.mail : ceiling-sales@goldenmetalgroup.com

www.goldenmetalgroup.com